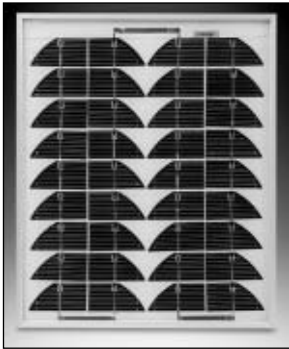


SunWize® OEM Series Solar Modules

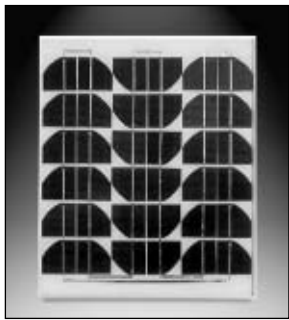


SunWize OEM5

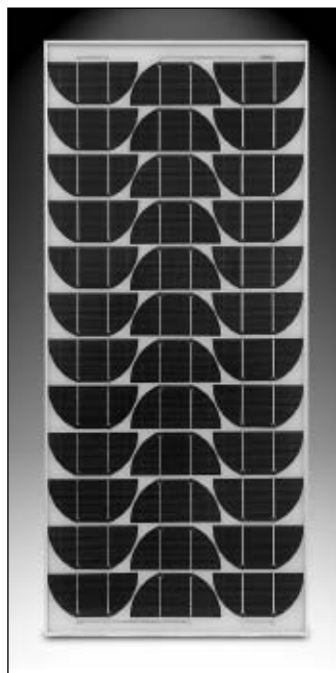
SunWize® OEM modules deliver top-quality performance for all photovoltaic applications including rural electrification, water pumping, telemetry, communications, and general battery charging. Ideal for AC and DC installations, SunWize OEM modules can be used in single-module and multiple-module systems. Each module consists of 36 solar cells connected in series providing maximum charging power. The glass surface allows maximum light transmission and is impact resistant to hailstone forces of a 1" diameter hailstone at terminal velocity (5 ft-lbs). Single crystalline solar cells are encapsulated and bonded to the glass in multiple layers of ethylene vinyl acetate (EVA) and laminated with a white Tedlar™ backing insuring long life in severe environmental conditions. Bypass diodes contained within the junction box insure reliable operation. Anodized aluminum tubular frames add strength and durability to the modules and are constructed to withstand constant wind speeds of 110 mph and gusts to 133 mph. Includes pre-drilled mounting holes. The weather resistant junction box accommodates all wiring methods including moisture-tight strain relief connectors and electrical conduit. SunWize modules are manufactured to comply with U.S. and international standards, and are factory tested to verify superior performance. SunWize modules are manufactured in accordance to ISO 9002 standards. OEM series modules are FM CSA approved for Class 1, Div. 2 hazardous locations. OEM series modules carry a 20-year, 80% power output warranty.

Model	Rated Power (Watts)	Rated Voltage (Vmp)	Rate Current (Imp)	Open Circuit Voltage (Voc)	Short Circuit Current (Isc)	Dimensions (inches)	Unit Weight (lbs.)
OEM5	5	16.4	0.31	20.5	0.38	11.82 x 9.84	3
OEM10	10	16.4	0.61	21.0	0.70	15.15 x 14.76	4.5
OEM20	20	16.5	1.22	21.0	1.38	20.86 x 16.93	6.5
OEM40	40	16.7	2.40	21.0	2.68	38.38 x 17.13	12.5

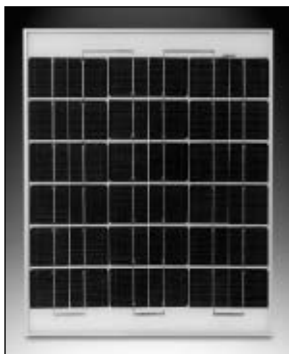
Vmp—maximum power voltage (volts) • Imp—maximum power current (amps) • Voc—open circuit voltage (volts) • Isc—short circuit current (amps)



SunWize OEM10

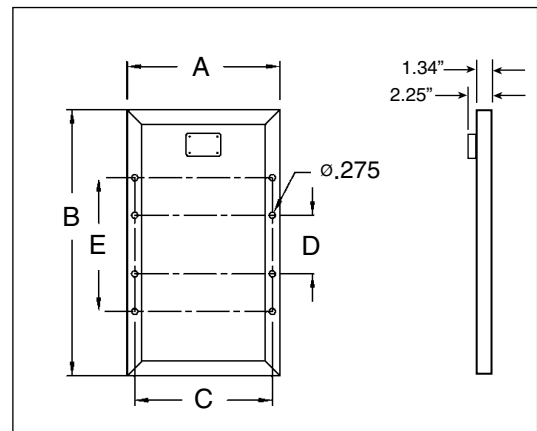


SunWize OEM40



SunWize OEM20

MODULE DIMENSIONS (inches)



OEM	A	B	C	D	E
5	9.88	11.85	8.62	CL	9.84
10	14.80	15.19	13.54	CL	9.84
20	16.93	20.86	15.67	CL	9.84
40	17.16	38.30	15.90	9.84	23.62