



# Preliminary Product Information Sheet Solar Module BSP80-12

## General Information

High performance multi-crystalline cells  
High energy yields in a wide variety of climates  
Anodized aluminum frame provides for easy mounting

## Qualification and Certificates

UL Listing Pending



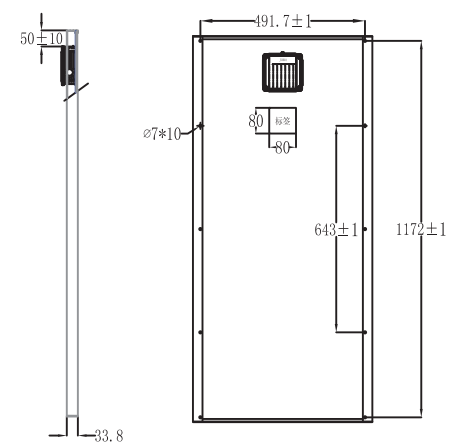
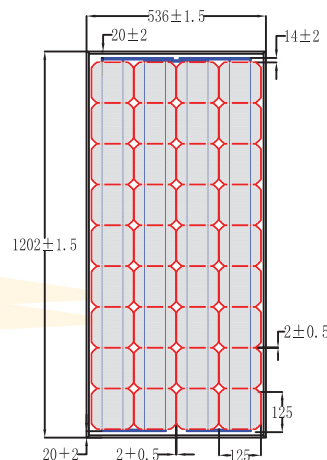
## Electrical Characteristics

Typical Data At STC		BSP80-12
Rated Power	Pr	80W
Peak Power	Pmpp	80W
Peak Power Voltage	Vmpp	17.86V
Peak Power Current	Impp	4.5A
Open Circuit Voltage	Voc	21.96V
Short Circuit Current	Isc	5.06A

The performance of the solar cells is measured at Standard Test Conditions (STC): 1000 W/m<sup>2</sup> irradiance, AM 1.5 spectrum and 25° C cell temperature.

## Physical Characteristics

Length	Inches (mm)	47.32 (1202)
Width	Inches (mm)	21.10 (536)
Thickness	Inches (mm)	1.33 (33.8)



10 Year Warranty