



BWC EXCEL

10kW CLASS

WIND TURBINE

- 5-YEAR WARRANTY
- AMERICA'S BEST SELLING RESIDENTIAL SYSTEM
- CERTIFIED BY CALIFORNIA ENERGY COMMISSION
- SIMPLE DESIGN - 3 MOVING PARTS
- PATENTED POWERFLEX® ROTOR SYSTEM
- AUTOFURL® AUTOMATIC STORM PROTECTION
- DIRECT-DRIVE PM ALTERNATOR
- NO SCHEDULED MAINTENANCE REQUIRED
- HEAVY-DUTY CONSTRUCTION
- DESIGNED FOR 30+ YEARS
- POLYURETHANE AIRCRAFT-QUALITY PAINT
- PROVEN, OVER 50 MILLION OPERATIONAL HOURS

The Bergey BWC Excel is a rugged and reliable small wind turbine that has been proven in hundreds of installations around the world. It comes from the world's leading manufacturer of small wind turbines and is backed by the longest warranty in the industry. Whether you want to reduce the electric bills at your home or power a critical load far from the power grid, the BWC Excel will deliver years of "worry-free" power.

Excel-S: Grid-Intertie Applications (10kW)
Excel-R: Battery Charging Applications (7.5kW)
Excel-PD: Pumping Applications (10kW)



Excel-S GridTek 10
Power Processor
(AC output)



Excel-R OptiCharge
Voltage Regulator
(DC output)



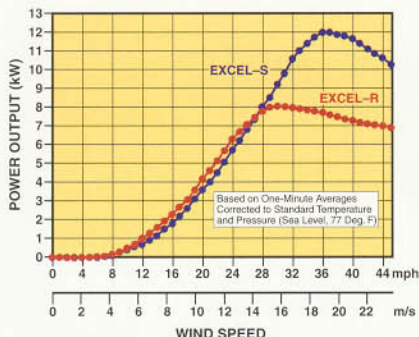
23 ft (7 meter)
Rotor Diameter

Net Weight: 1,050 lbs
Shipping Weight: 1,200 lbs

THE ONLY MOVING PARTS ARE THE PARTS YOU SEE MOVING

PERFORMANCE

Start-up Wind Speed...7.5 mph
Cut-In Wind Speed...8 mph
Rated Wind Speed...31 mph
Rated Rotor Speed...310 RPM
Furling Wind Speed...36 mph
Max. Design Wind Speed...125 mph
(with Extra-Stiff Blades...150 mph)



**POINT, CLICK, LEARN,
ANALYZE & BUY WISELY:**
WWW.BERGEY.COM

Predicted Monthly Energy Production

Wind Speeds Taken at Top of Tower

Average Wind Speed	8 mph	9 mph	10 mph	11 mph	12 mph	13 mph	14 mph
Excel-S (AC kWh)	240	370	520	700	900	1,130	1,370
Excel-R (DC kWh)	340	500	680	880	1,090	1,320	1,550

Wind Speeds Taken at 10 meters (per standard wind resource maps)

Average Wind Speed	8 mph	9 mph	10 mph	11 mph	12 mph	13 mph	14 mph
60 ft. Excel-S	330	480	670	870	1,110	1,350	1,610
Tower Excel-R	440	620	830	1,050	1,280	1,510	1,740
80 ft. Excel-S	430	620	840	1,100	1,370	1,670	1,960
Tower Excel-R	560	780	1,030	1,290	1,550	1,820	2,060
100 ft. Excel-S	490	700	950	1,220	1,510	1,820	2,130
Tower Excel-R	630	870	1,140	1,410	1,680	1,950	2,200
120 ft. Excel-S	550	780	1,050	1,340	1,650	1,970	2,280
Tower Excel-R	700	960	1,240	1,530	1,800	2,070	2,320

Assumptions: Inland Site, Rayleigh Distribution, Shear Exponent = 0.18, Altitude = 1,000 ft.
Note: Battery charge regulation (batteries full) will reduce actual Excel-R performance.
Your Performance May Vary.



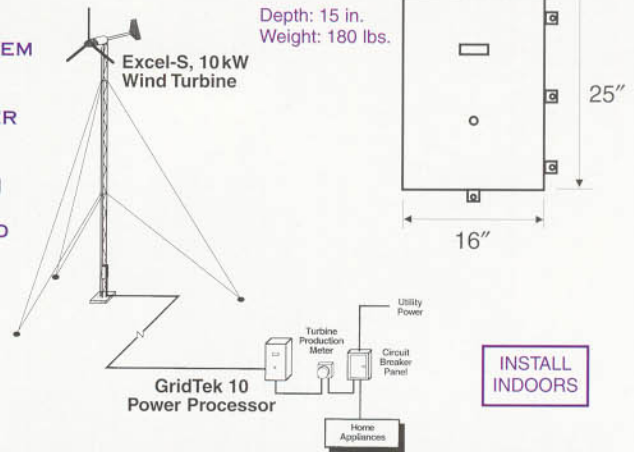
SIMPLICITY • RELIABILITY • PERFORMANCE

2001 PRIESTLEY AVE.
NORMAN, OK 73069
T: 405-364-4212
F: 405-364-2078
SALES@BERGEY.COM
WWW.BERGEY.COM



GRIDTEK 10

- POWER PROCESSOR FOR THE EXCEL-S GRID-INTERIE SYSTEM
- 240 VAC OUTPUT, 60 HZ OR 50 HZ, 220 VAC
- NO BATTERIES, EXCESS POWER IS SOLD TO THE POWER COMPANY
- FULLY AUTOMATIC OPERATION
- ADVANCED DIGITAL DESIGN
- DISPLAYS OUTPUT POWER AND TURBINE SPEED
- 5-YEAR WARRANTY
- UL LISTED
- CEC CERTIFIED



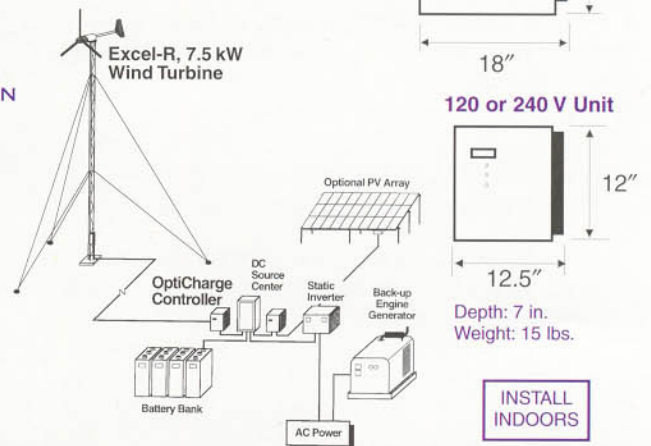
48 V unit, with optional E-Meter



240 V unit

OPTICHARGE 10

- RECTIFIER AND REGULATOR FOR THE EXCEL-R BATTERY CHARGING SYSTEM
- 24, 48, 120, OR 240 VDC OUTPUTS
- SOLID-STATE, PASSIVE COOLING (EXCEPT 24 V UNIT)
- OPTICHARGE, CONSTANT VOLTAGE CHARGING, FOR LONGER BATTERY LIFE
- FULLY AUTOMATIC OPERATION
- DISPLAYS BATTERY VOLTAGE AND CHARGING STATUS
- OPTIONAL INTEGRATED DC POWER CENTER
- 5-YEAR WARRANTY



PUMPTTEK 10

- PUMP CONTROLLER FOR THE EXCEL-PD WIND-ELECTRIC PUMPING SYSTEM
- NEW IMPROVED DESIGN
- SOLID-STATE, NO BATTERY
- FOR STANDARD 240 VAC 3-PH PUMPS
- FULLY AUTOMATIC OPERATION
- DRY PUMP SHUTDOWN
- OUTDOOR RATED ENCLOSURE
- 5-YEAR WARRANTY

